



RAUCH
wir nehmen's genau

UKS

Universal box fertiliser spreader

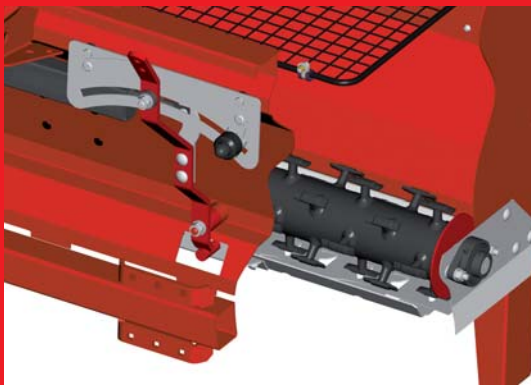


*Precision for all kinds of spreading material like
fertiliser, lime, seeds, compost, organic fertiliser,
sand and much more*

UKS

Universal box fertiliser spreaders can meter simply everything

Whether for cultivation of vegetables, vine, fruits or special crops, in nursery gardens and gardening and landscaping, the UKS satisfies every possible requirement and offers simple, comfortable operation at maximum precision.



Agitator shaft with wear-resistant plastic components and metering slide opening

The agitator shaft with its flexible and wear-resistant agitator blades continuously supplies the spreading material to the metering slide openings and ensures smooth metering of any kind of granulated, floury or organic spreading material as well as seeds, sand, compost and organic fertiliser. Not even powdery spreading materials like Basamid compromise the performance of the UKS - neither in precision nor in metering. Changing the spreading material does not require any refitting or additional equipment.



New

QUANTRON-A:

Precision and operating comfort

The uncomplicated, electronic QUANTRON-A* fertiliser metering system automatically controls the metering slide according to the forward speed. The logically structured menu is available in multiple languages and enables uncomplicated and convenient operation.

The result: The application rate remains constant even at a variable forward speed. This helps to save valuable spreading material, increases efficiency and relieves the strain on the driver.

Simultaneously, QUANTRON-A monitors the speed of the hydraulically driven agitator shaft. During operation, the driver can remotely adjust the application rate simply by pressing a button. All operating data is logged and can be transferred to a PC via the optional DataManager Field.

* Option for UKS 100, 120, 150, 190, 230, 300



Option: electr. remote control

With 7 basic models with working widths between 0.8 and 3.0 m, the UKS can be optimally adjusted to the respective field width or the required track width. Thanks to its mechanical and hydraulic drive options and manual (standard), mechanical or electrical remote control of the metering slides, the UKS can be perfectly combined with a wide range of tractors as a front as well as rear-mounted unit.



Foldable stainless steel base

The UKS has minimum maintenance requirements. The stainless steel spreading base can be conveniently folded down in no time. This provides sufficient space for convenient emptying of residual material and cleaning.

The high-quality powder coating as well as the high proportion of stainless steel components help to preserve the value of this investment for many years.

UKS overview

- Universal fertiliser spreader for all kinds of spreading material like fertiliser - granulated or floury - seeds, compost, organic fertiliser, sand and much more
- No adjustments/refitting required for changing the spreading material
- Spreading widths of 80, 100, 120, 150, 190, 230 and 300 cm
- Steep hopper walls to provide a smooth flow of moist spreading material
- Uncomplicated metering, manually or remotely controlled
- Stainless steel spreading base, which can be folded without tools, for quick and easy emptying of residual material and cleaning of the spreader
- Hydraulic motor drive; UKS 80, 100 and 120 also available with PTO drive
- High proportion of stainless materials
- Front and rear mounting
- Option: high-precision and forward speed-dependent QUANTRON-A metering system

Performance data

	UKS 80*	UKS 100*	UKS 120*	UKS 150 GB	UKS 190 GB	UKS 230 GB	UKS 300** GB
Spreading width (cm)	80	100	120	150	190	230	300
Hopper capacity (l)	165	200	240	300	370	440	580
Capacity with extension (l)	230	280	350	410	510	610	810
Filling height	75 cm, 93 cm with extension						
Overall width (cm)	98	118	138	168	208	248	323**
Max. load capacity (kg)	500			700			1000
Empty weight (kg)	105	120	130	160	180	210	260
Drive	Hydraulic clockwise/counter-clockwise PTO shaft with 540 rpm, min. 20 l/min			Hydraulic, min. 20 l/min, with flow control valve for agitator shaft speed			
Upper link	Cat I + II						
Lower link	Cat I			Cat II			
Machine triangle	Cat I			Cat II			

* orange paintwork as standard

** not approved for public roads

Standard equipment

- High-capacity spreader shaft
- Stainless steel metering slide
- Foldable stainless steel base
- Protective grid
- Flow control valve for spreader shaft speed adjustment (UKS 150 or higher)
- Cat. I or cat. II

Accessories

- Mechanical remote control
- Electrical remote control
- Hopper extension
- Row spreading system
- Area spreading system
- Hopper cover
- Lighting with warning signs
- Windscreen for dusty spreading material
- Machine triangle
- Removable parking rests



RAUCH has even more to offer. Please request information on our full range of products.



We reserve the right to make changes to improve our products.

