

Technical sheet

MLA-T 533-145 V+

Articulated loaders



Capacities	Metric
Max. capacity	3300 kg
Max. lifting height	5.20 m
Max. outreach	3.30 m
Reach at max. height	1.20 m
Breakout force with bucket	6730 daN
Weight and dimensions	
Unladen weight (with forks)	8430 kg
m4 - Ground clearance	0.39 m
l2 - Overall length to carriage (with hitch)	5.72 m
y - Wheelbase	2.50 m
b1 - Overall width	2.29 m
h17 - Overall height	2.70 m
a4 - Crowd angle	9 °
a5 - Dump angle	156 °
Wa1 - External turning radius (over tyres)	4.20 m
Standard tyres	460/70 R24 159A8 A580 - Alliance
Performances	
Lifting	6 s
Lowering	5.10 s
Extension	3.80 s
Retraction	2.40 s
Crowd	3.50 s
Dump	2.70 s
Engine	
Brand	Deutz
Environmental norm	Stage IV / Tier 4 Final
Model	TCD 4.1 L4
Number of cylinders - Cubic capacity	4 - 4038 cm ³
Power	143 hp / 105 kW
Max. torque	550 Nm at 1600 rpm
Cooling system	3 radiators (water + intercooler + hydraulic oil)
Transmission	
Type	M-Vario Plus (Continuous Variable Transmission)
Max. travel speed (may vary according to applicable regulations)	40 km/h
Differential lock	Limited slip differential on front axle
Parking brake	Manual parking brake
Service brake	Hydraulic oil immersed multi-disc braking on front & rear axles
Hydraulics	
Hydraulic pump type	Load sensing pump
Hydraulic flow - Pressure	158 l/min - 270 bar
Tank capacities	
Hydraulic oil	150 l
Fuel	150 l
Diesel Exhaust Fluid (AdBlue® type)	10 l
Noise & vibration	
Noise at driving position (LpA) tested following NF EN 12053 norm	72 dB(A)
Environmental noise LwA	107 dB(A)
Vibration to whole hand / arm	2.5 m/s ²
Miscellaneous	
Safety	Tractor homologation EN 15000 Norm Cab ROPS - FOPS Level 2

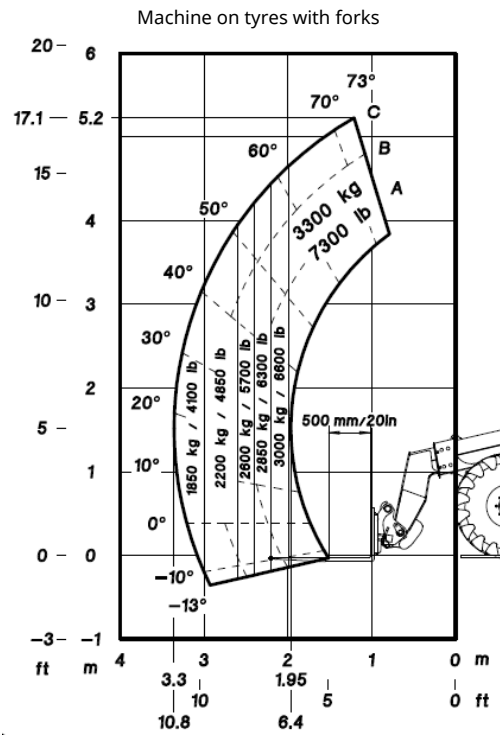
Tyre options

Optional tires	Overall machine height	Overall machine width
Michelin - 460/70 R24 159A8 XMCL	2.70 m	2.29 m
Michelin - 500/70 R24 164A8 XMCL	2.74 m	2.36 m
Michelin - 460/70 R24 159A8 Bibload	2.70 m	2.29 m
Michelin - 500/70 R24 164A8 Bibload	2.74 m	2.36 m

Options / Finishing

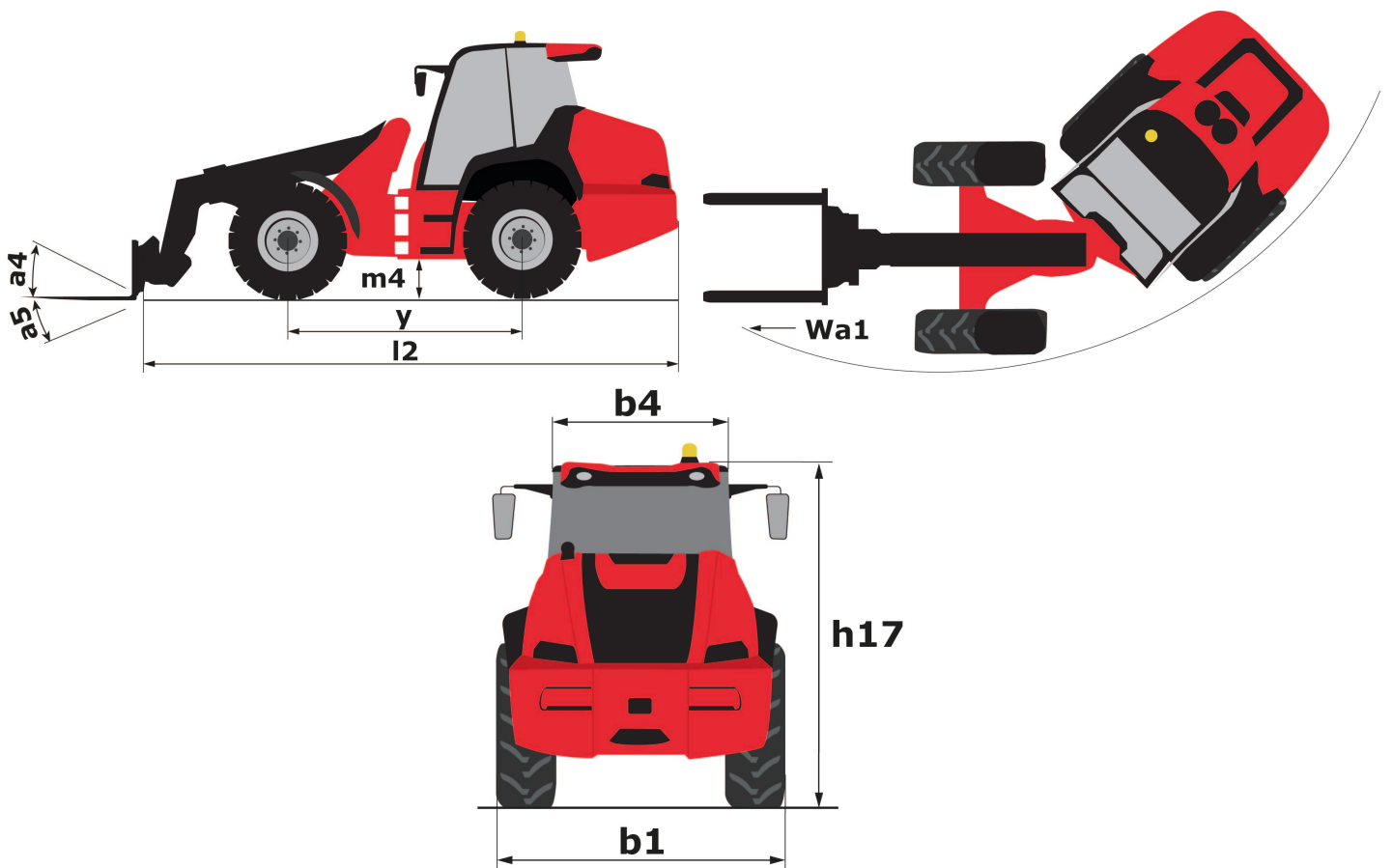
S : Standard / O : Optional / - : Not available

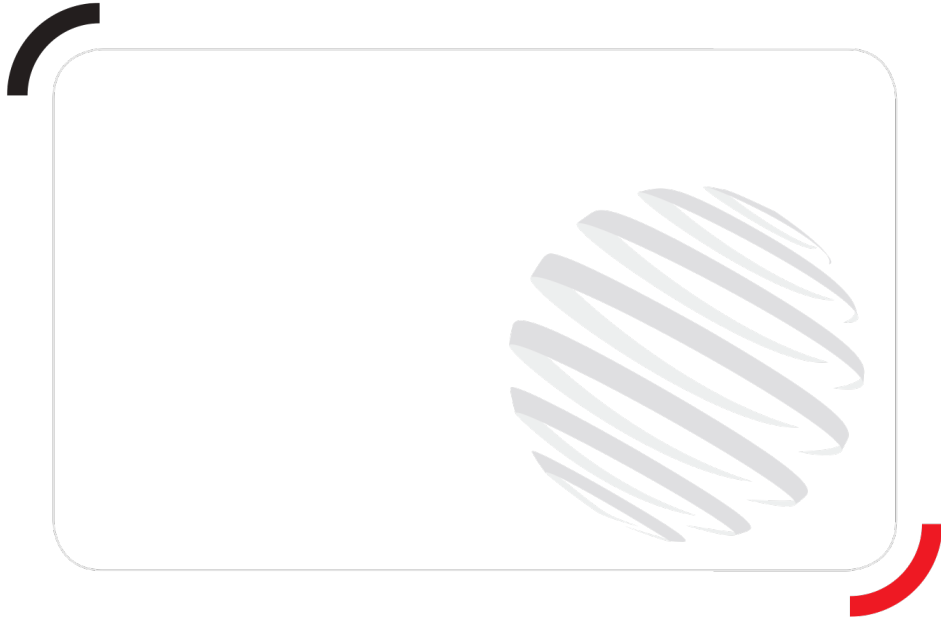
	Classic	Premium	Elite
General			
Self cleaning air prefilter	S	S	S
"Active CRC" boom suspension	O	O	S
Hand throttle	S	S	S
Manual rotating towing hitch	S	S	S
Hydraulic pick-up hitch - low position	O	O	O
Comfort			
Mechanical cloth-covered seat (GRAMMER)	S	-	-
Air suspension cloth-covered seat (GRAMMER)	O	S	-
Low frequency air suspension cloth-covered seat (GRAMMER)	O	O	S
Tuner car radio (50 W)	S	-	-
Bluetooth car radio with integrated microphone (100 W)	O	S	-
Bluetooth car radio with extra microphone (100 W)	O	O	S
Air conditioning with automatic adjustment	O	S	S
Hydraulic			
Easy Connect System (ECS)	S	S	S
Continuous flow hydraulics	O	O	S
Attachment hydraulic locking	O	O	O
Return pipe to hydraulic oil tank	O	O	O
1 pair of pre-fitted Double Action rear hydraulic couplers	O	O	O
Electrovalve for 2 hydraulic functions (on boom head)	O	O	O
Hydraulic trailer brake	O	O	O
Intelligent Hydraulics	O	O	S
Regenerative Hydraulics	O	S	S
Electricity / Safety			
Audio warning on reverse movements	O	O	O
Front and rear work lights on cab (x4: 2 front + 2 rear)	S	-	-
Front and rear LED work lights on cab (x4 : 2 front + 2 rear)	O	S	S
LED + (4 extra work lights)	O	O	O
LED work lights on boom head (on fixed part) (x2)	O	O	O
Electric mirrors with de-icing	O	O	S



Load chart compliant with EN 474-3 (80%)

Dimensional drawing





Siège Social
430 rue de l'Aubinière - 44150 Ancenis Cedex - France
Tel: +33(0)2 40 09 10 11 - Fax: +33 (0)2 40 09 10 97
www.manitou.com



This brochure describes versions and configuration options for Manitou products which may be fitted with different equipment. The equipment described in this brochure may be standard, optional or not available depending on version. Manitou reserves the right to change the specifications shown and described at any time and without prior warning. The manufacturer is not liable for the specifications given. For more information, contact your Manitou dealer. Non-contractual document. Product descriptions may differ from actual products. List of specifications is not comprehensive. The logos and visual identity of the company are the property of Manitou and may not be used without authorisation. All rights reserved. The photos and diagrams contained in this brochure are provided for information only.

MANITOU BF SA - Limited company with board of directors - Share capital: 39,547,824 euros - 857 802 508 RCS Nantes